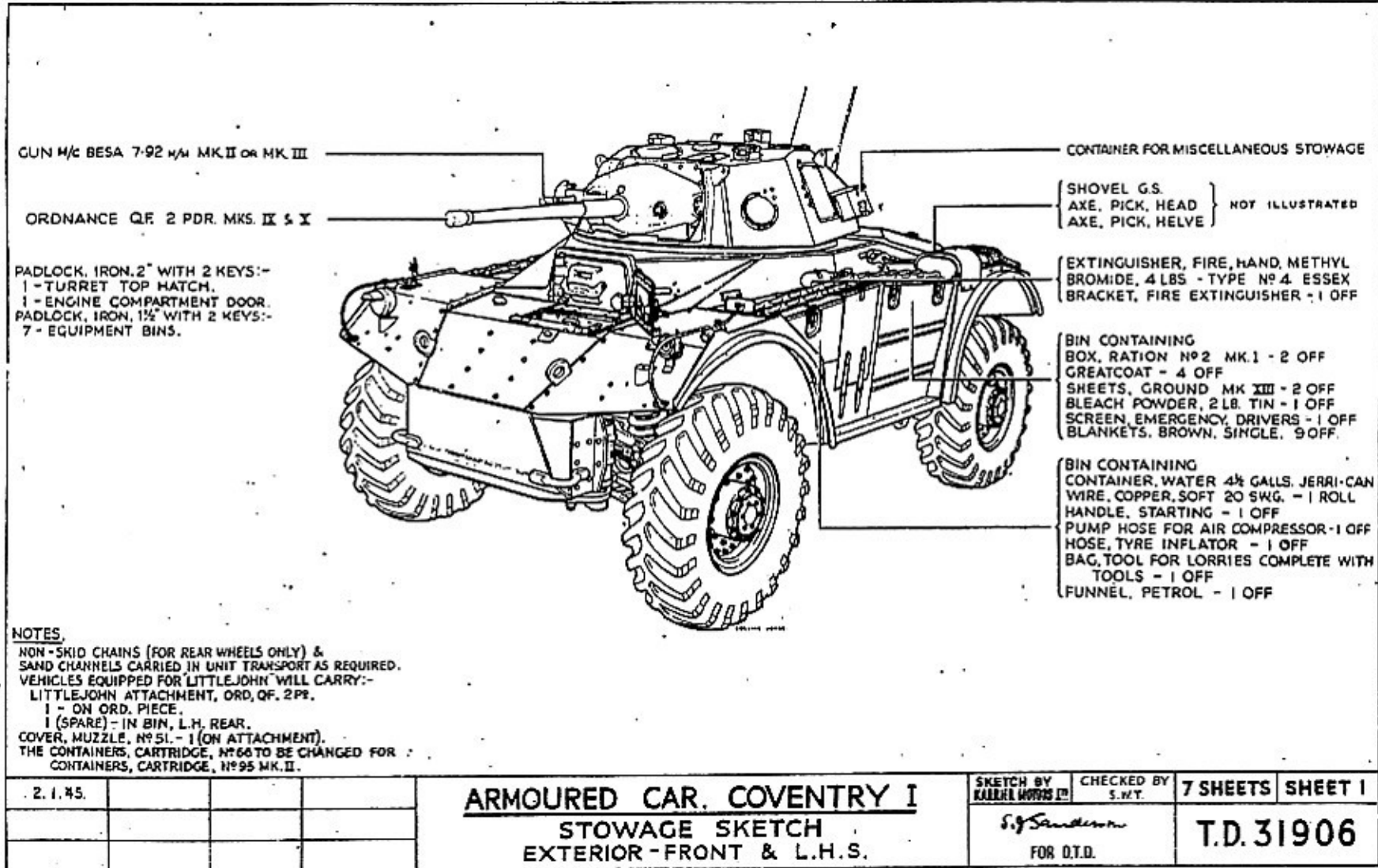
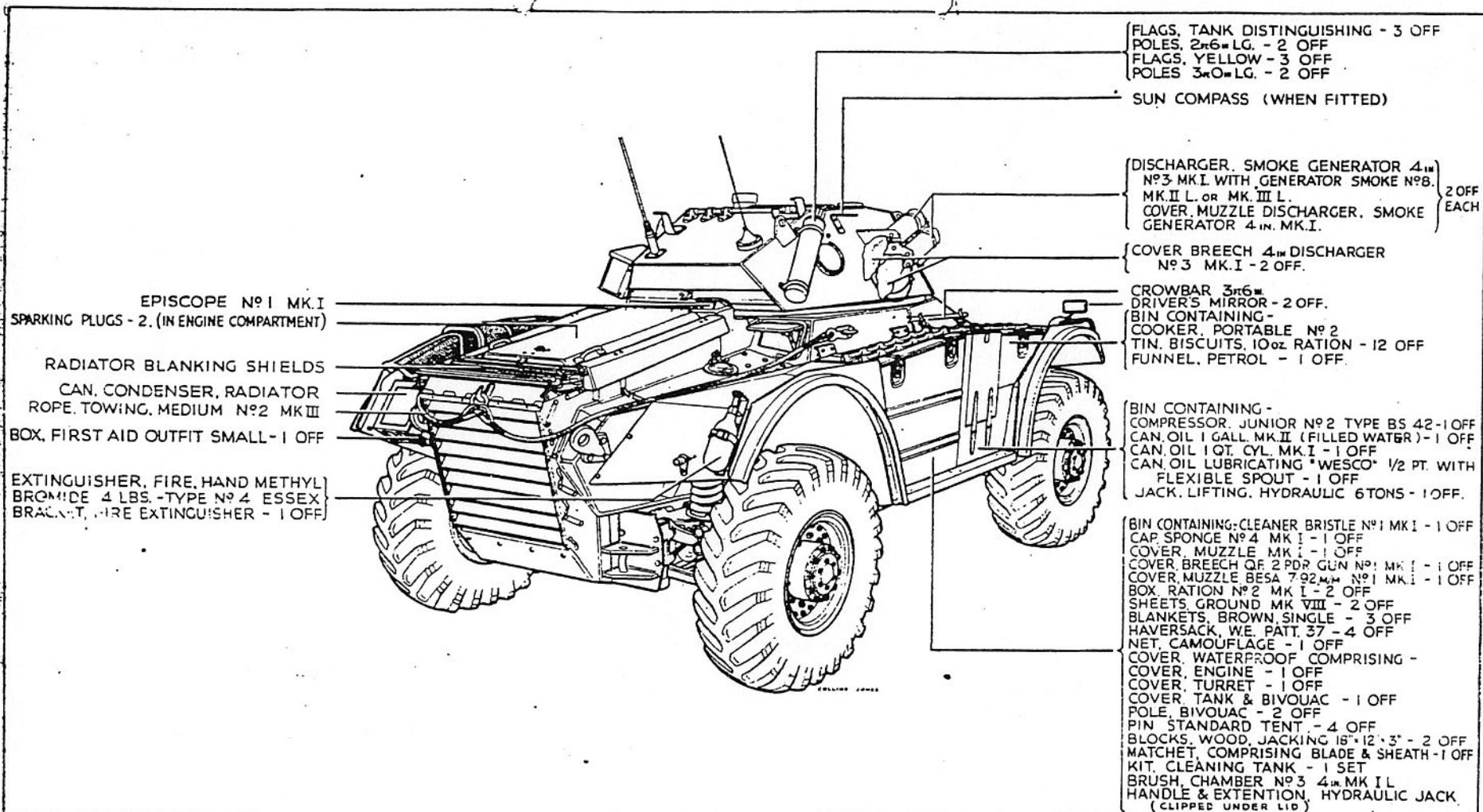


60/66





EPISCOPE N°1 MK.I
 SPARKING PLUGS - 2. (IN ENGINE COMPARTMENT)

RADIATOR BLANKING SHIELDS
 CAN, CONDENSER, RADIATOR
 ROPE, TOWING, MEDIUM N°2 MKIII
 BOX, FIRST AID OUTFIT SMALL - 1 OFF

EXTINGUISHER, FIRE, HAND METHYL
 BROMIDE 4 LBS. -TYPE N°4 ESSEX
 BRACKET, FIRE EXTINGUISHER - 1 OFF

FLAGS, TANK DISTINGUISHING - 3 OFF
 POLES, 2x6" LG. - 2 OFF
 FLAGS, YELLOW - 3 OFF
 POLES 3x0" LG. - 2 OFF

SUN COMPASS (WHEN FITTED)

DISCHARGER, SMOKE GENERATOR 4in
 N°3 MK.I WITH GENERATOR SMOKE N°8.
 MK.II L. OR MK.III L. } 2 OFF
 COVER, MUZZLE DISCHARGER, SMOKE EACH
 GENERATOR 4in. MK.I.

COVER BREECH 4in DISCHARGER
 N°3 MK.I - 2 OFF.

CROWBAR 3x6"
 DRIVER'S MIRROR - 2 OFF.
 BIN CONTAINING -
 COOKER, PORTABLE N°2
 TIN, BISCUITS, 10oz. RATION - 12 OFF
 FUNNEL, PETROL - 1 OFF.

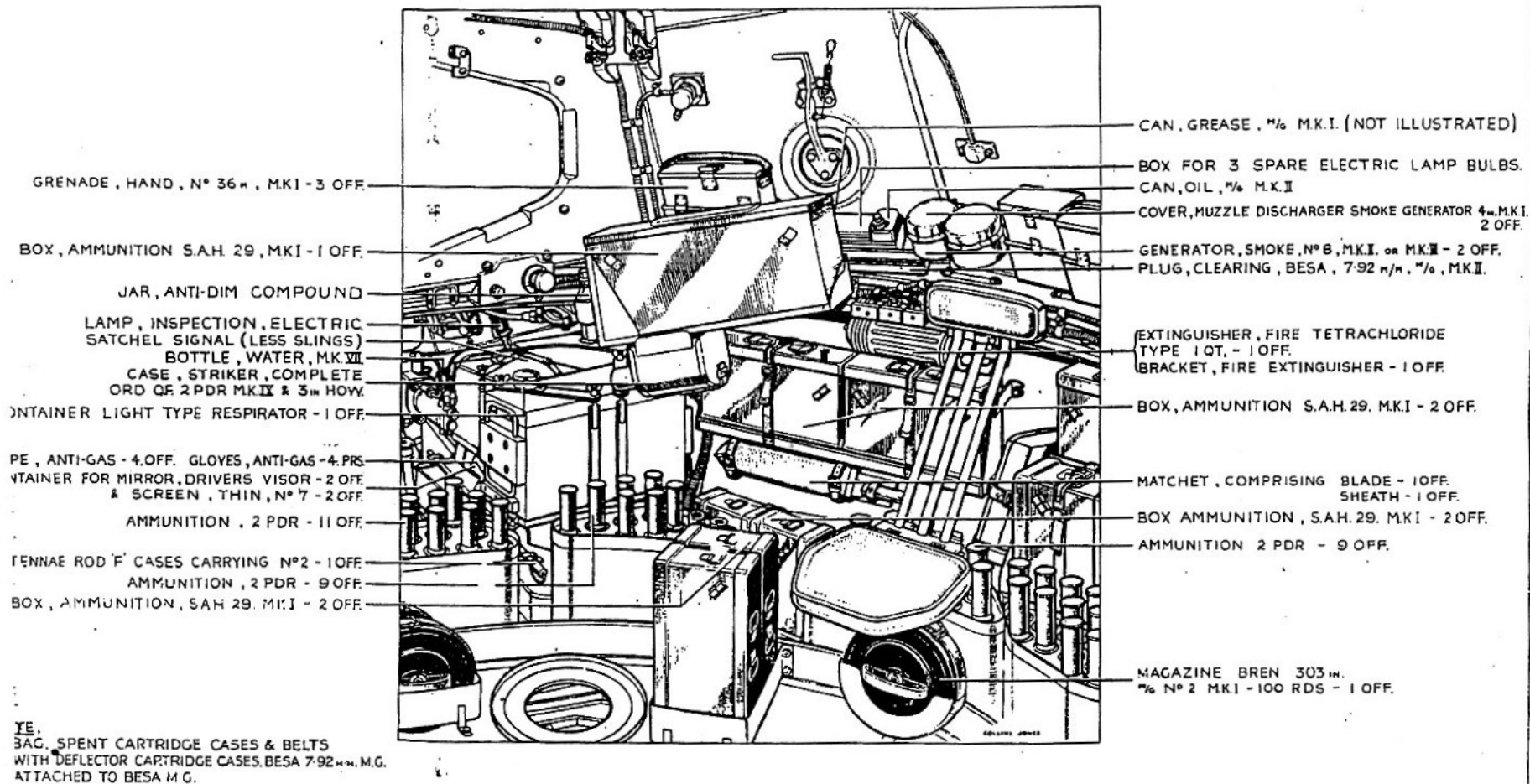
BIN CONTAINING -
 COMPRESSOR, JUNIOR N°2 TYPE BS 42-1 OFF
 CAN, OIL 1 GALL. MK.II (FILLED WATER) - 1 OFF
 CAN, OIL 1 QT. CYL. MK.I - 1 OFF
 CAN, OIL LUBRICATING "WESCO" 1/2 PT. WITH
 FLEXIBLE SPOUT - 1 OFF
 JACK, LIFTING, HYDRAULIC 6TONS - 1 OFF.

BIN CONTAINING: CLEANER BRISTLE N°1 MK.I - 1 OFF
 CAP, SPONGE N°4 MK.I - 1 OFF
 COVER, MUZZLE MK.I - 1 OFF
 COVER, BREECH QF 2 PDR GUN N°1 MK.I - 1 OFF
 COVER, MUZZLE BESA 7.92mm N°1 MK.I - 1 OFF
 BOX, RATION N°2 MK.I - 2 OFF
 SHEETS, GROUND MK VIII - 2 OFF
 BLANKETS, BROWN, SINGLE - 3 OFF
 HAVERSACK, WE. PATT. 37 - 4 OFF
 NET, CAMOUFLAGE - 1 OFF
 COVER, WATERPROOF COMPRISING -
 COVER, ENGINE - 1 OFF
 COVER, TURRET - 1 OFF
 COVER, TANK & BIVOUAC - 1 OFF
 POLE, BIVOUAC - 2 OFF
 PIN, STANDARD TENT - 4 OFF
 BLOCKS, WOOD, JACKING 15" x 12" x 3" - 2 OFF
 MATCHET, COMPRISING BLADE & SHEATH - 1 OFF
 KIT, CLEANING TANK - 1 SET
 BRUSH, CHAMBER N°3 4in. MK.I L
 HANDLE & EXTENSION, HYDRAULIC JACK
 (CLIPPED UNDER LID)

2.1.45.			

ARMOURD CAR, COVENTRY I
 STOWAGE SKETCH
 EXTERIOR - REAR & R.H.S.

SKETCH BY KARRIER MOTORS LTD	CHECKED BY S.W.T	7 SHEETS	SHEET 2
<i>S.J. Sanderson</i> FOR D.T.D.		T.D. 31906	



2.1.45.				

ARMOURD CAR. COVENTRY I
STOWAGE SKETCH
INTERIOR TURRET & HULL - R.H.FRONT.

SKETCH BY KARRIER MOTORS LTD	CHECKED BY S.W.T	7 SHEETS	SHEET 3
S. Sanderson FOR D.T.D.		T.D. 31906	

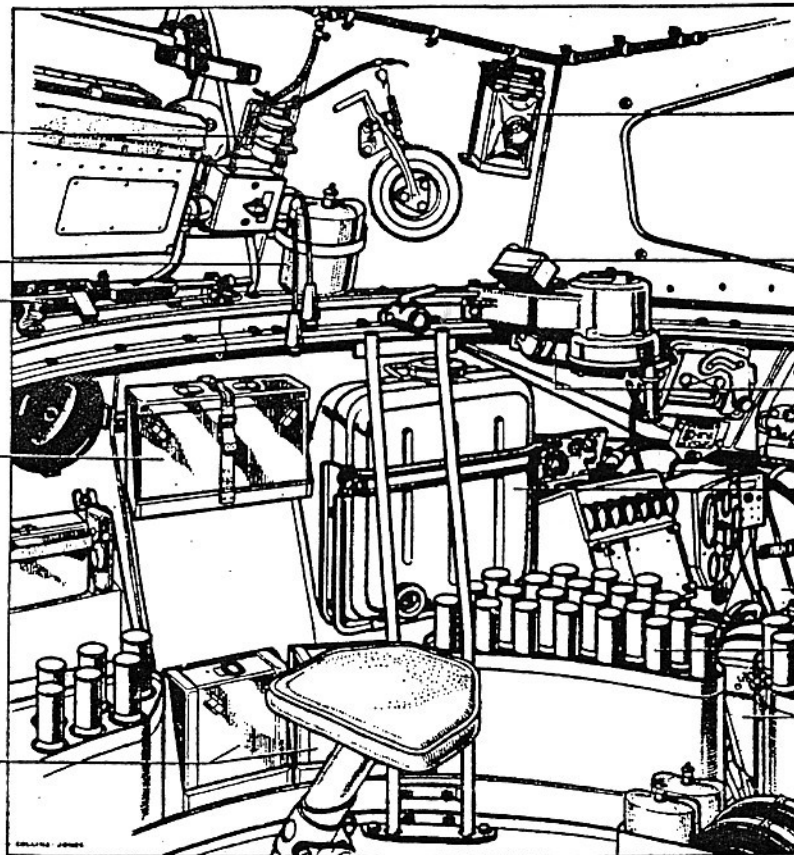
CAN, OIL, "WESCO" 1/2 PINT, WITH FLEXIBLE SPOUT - 1 OFF.

BOTTLE, WATER, MK VII - 1 OFF.

THOMPSON SUB M/G
OR
CARBINE M/G STEN 9MM. MK III.

BOX, AMMUNITION, SAH. 29. MK.I.
1 OFF.

BOX, AMMUNITION, SAH. 29. MK.I.
2 OFF.



LAMP, HAND, HELLESON c/w BULB & BATTERY. - 1 OFF.

PROTECTORS, OBJECT GLASS N° 3. MK.I. - 4 OFF.

EXTINGUISHER, FIRE TETRACHLORIDE
TYPE 1QT. - 1 OFF.
BRACKET, FIRE EXTINGUISHER - 1 OFF.

TANK, WATER - 4 GALLONS.

SUIT, ANTI-GAS - IN VALISE (IF CARRIED).

HAMMER, ENGINEERS, BALL PANE 1LB.
(STOWED LOOSE, DRIVER'S COMPARTMENT)

AMMUNITION 2 PDR. - 21 OFF.

INSTRUCTION BOOK.
LOG BOOK.

2.1.45.

ARMOURD CAR, COVENTRY I

STOWAGE SKETCH
INTERIOR TURRET & HULL - L.H. FRONT.

SKETCH BY
KARRIER MOTORS LTD.

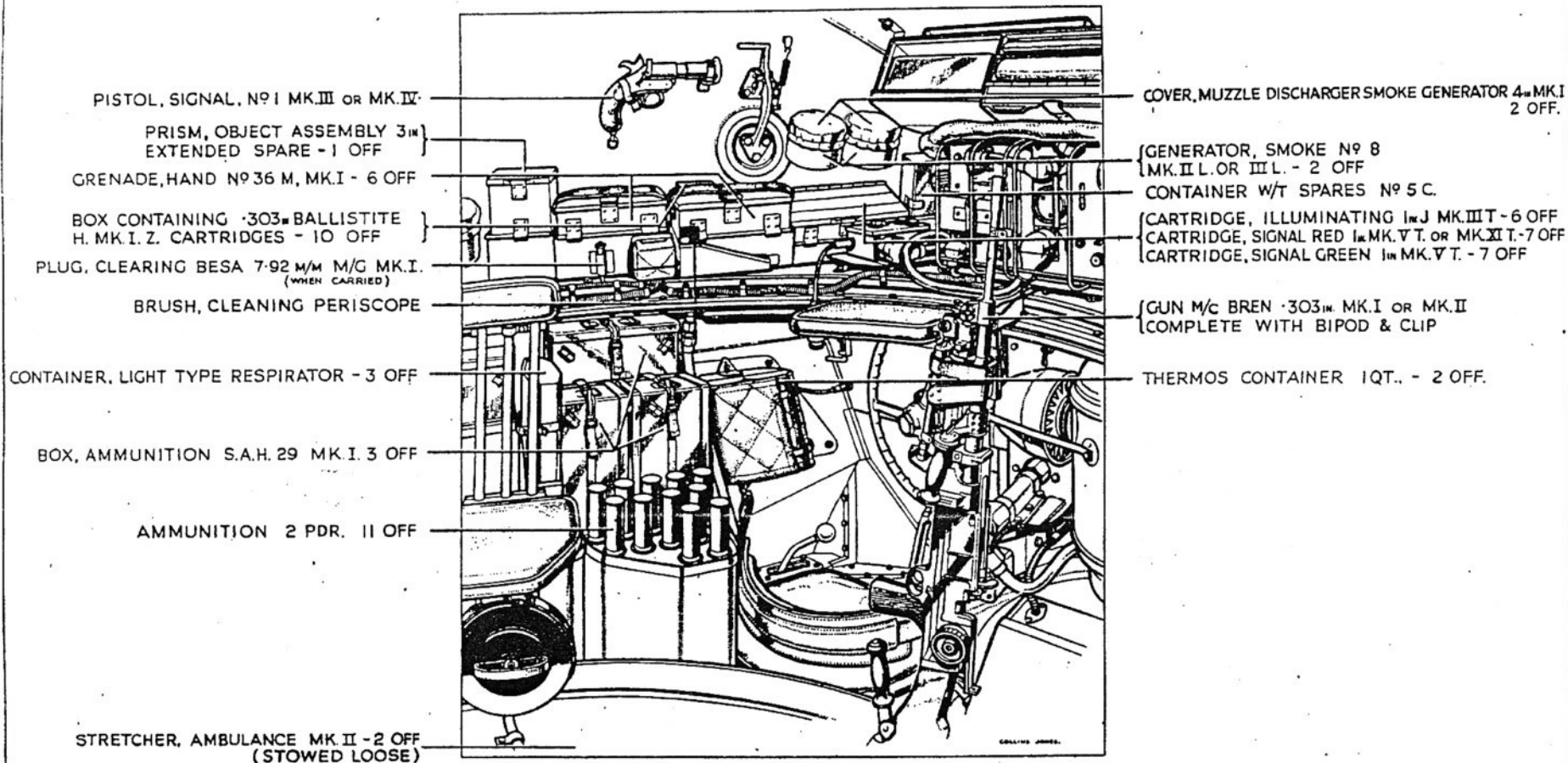
CHECKED BY
S.W.T.

7 SHEETS SHEET 4

S. J. Sanderson

FOR D.T.D.

T.D. 31906



2.1.45.			

ARMOURD CAR. COVENTRY I
STOWAGE SKETCH
INTERIOR TURRET & HULL - R.H. REAR.

SKETCH BY
KARRIER MOTORS LTD

CHECKED BY
S.W.T.

7 SHEETS SHEET 5

S. Sanderson

FOR D.T.D.

T.D.31906

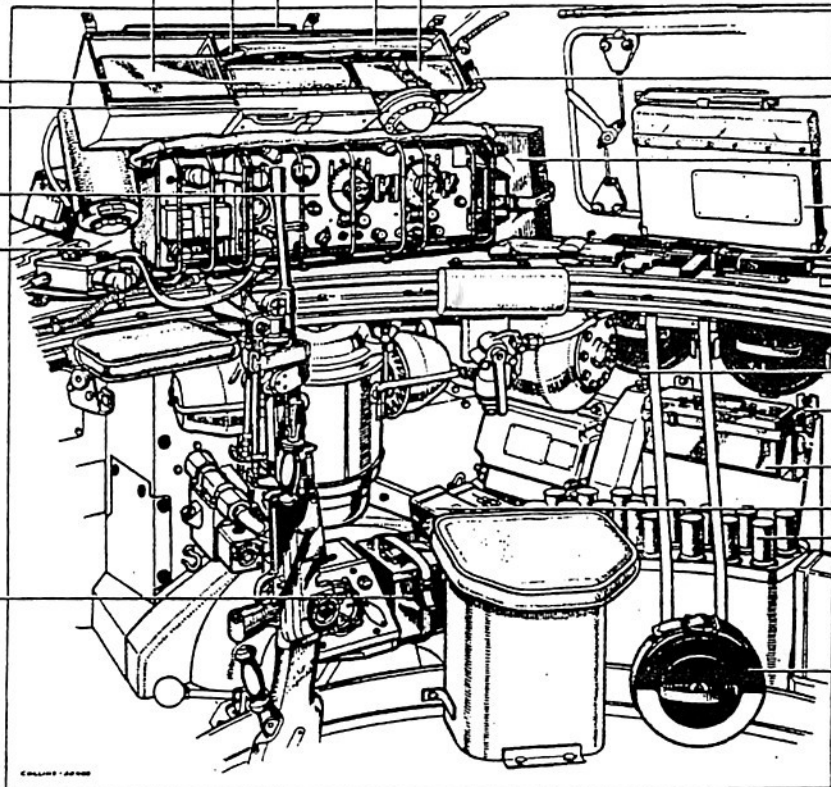
LOOSE MAP SHEETS
BOARD, MAP, G.S. N° 2, MK I
BIN, SUNDRIES, CONTAINING
GLOVES, WIRING - 1 PR
BINOCULARS, PRISMATIC, N° 5, MK IV
OINTMENT, ANTI-GAS, N° 2 - 3 TINS, 8 TUBES PERTIN

PACK, SPARE PARTS & TOOLS
BESA, 7.92 mm N° 6
PRISM, OBJECT, TANK PERISCOPE. (SPARE) - 1 OFF.

3/4 SET, N° 19

SACHEL SIGNAL (LESS SLINGS)
- 1 OFF. (NOT ILLUSTRATED)

CONTAINER FOR 3/4 SPARE VALVES.
(IF CARRIED ON VEHICLE)



MAP CASE

WALLET, BREN .303 N° 1

ROD, CLEANING CYLINDER BREN, .303 N° 1, MK V

BRUSH, CLEANING, PERISCOPE.
PRISM, OBJECT, TANK PERISCOPE. (SPARE) - 2 OFF.

BOX, CONTAINING FIRST AID OUTFIT

MAGAZINE THOMPSON SUB M/ 30 RDS. 10 OFF.
or MAGAZINE, CARBINE, STEN 32 RDS. MK I
8 OFF

THOMPSON SUB M/.

ROD, CLEANING .303 N° 1, MK V.

MAGAZINE BREN.
.303 N° 2, MK I, 100 RDS - 2 OFF.
CUTTERS, WIRE, FOLDING, MK I.
FROG, CUTTERS, WIRE, FOLDING, MK I
BOX CONTAINING SPARES & TOOLS 2 PDR
GUN & MOUNTING & CLEANING
EQUIPMENT THOMPSON SUB M/.
or TOOLS & ACCESSORIES CARBINE M/ STEN.
BOX AMMUNITION SAH 29 MK I - 2 OFF.

AMMUNITION 2 PDR - 19 OFF.

MAGAZINE BREN, .303
N° 2, MK I, 100 RDS - 1 OFF.

2 1.45.

ARMOURD CAR. COVENTRY I
STOWAGE SKETCH
INTERIOR TURRET & HULL - L.H. REAR.

SKETCH BY
KARRIER MOTORS LTD

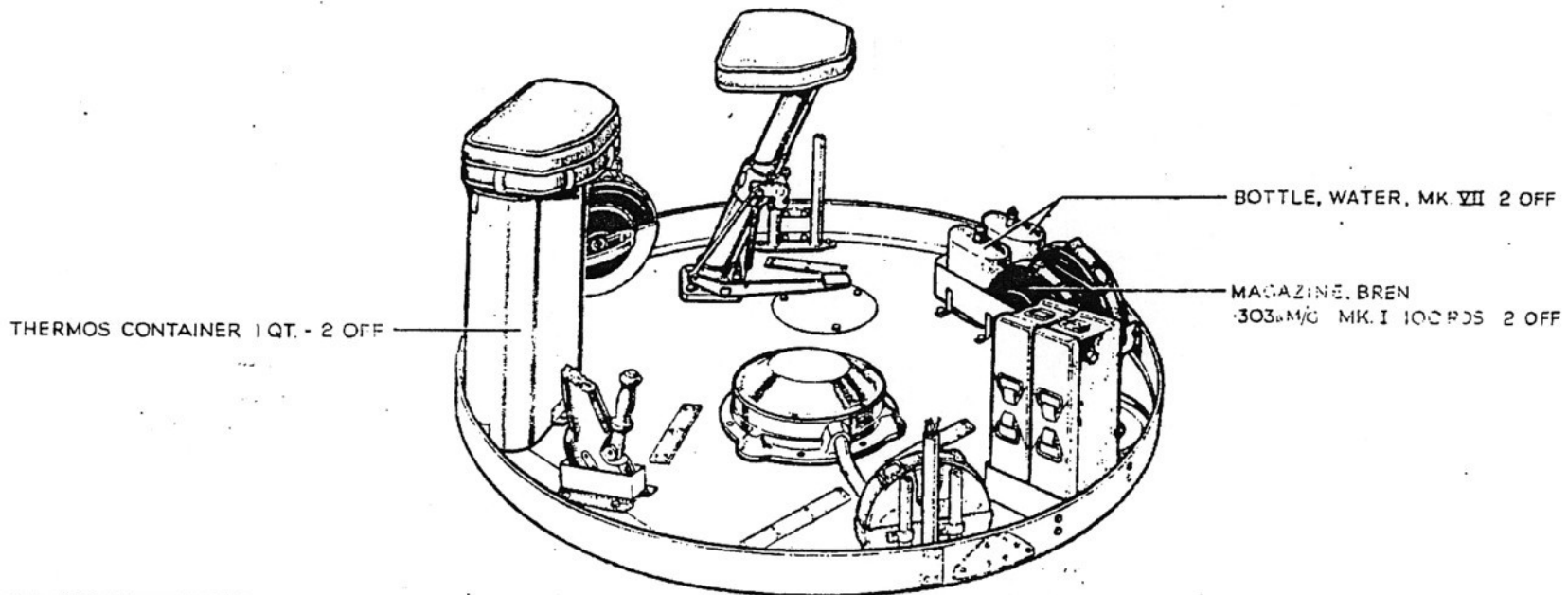
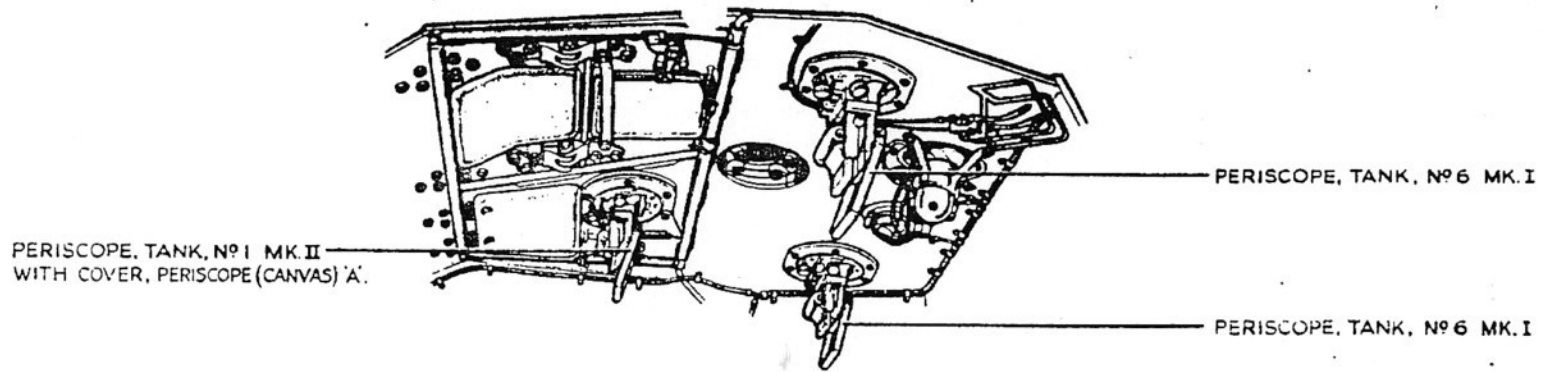
CHECKED BY
S.W.T.

7 SHEETS SHEET 6

Sgt Sanderson

FOR D.T.D.

T.D. 31906



2.1.45.			

ARMOURD CAR, COVENTRY I
STOWAGE SKETCH
INTERIOR - TURRET ROOF & TURNTABLE

SKETCH BY BARKER MOTORS LTD	CHECKED BY S.W.T	7 SHEETS	SHEET 7
S. J. Anderson FOR D.T.D.		T.D. 31906	